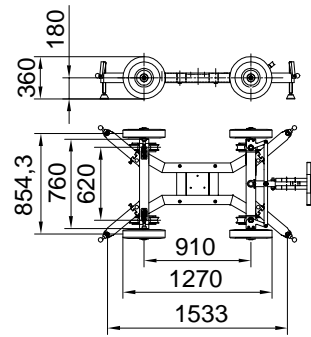
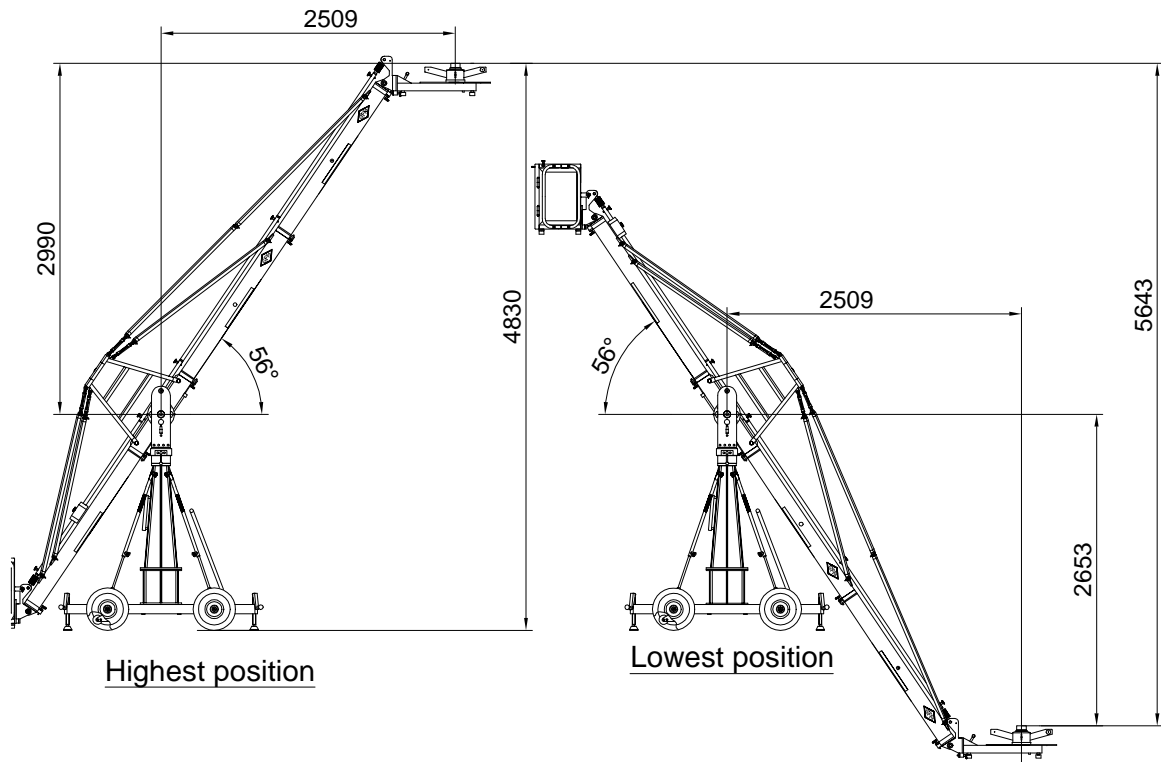


Horizontal position



Dolly (Dimensions are the same in all versions)



Highest position

Lowest position

Pivot height 1840 mm

Rear extension arm required 1270 mm

All measurements are mm !

Front extension arms required	2x1500 mm	Transport height of middle section, assembled	2080 mm
	--	Transport height of rigging harness assembled	2517 mm
	--	Counterweight required to balance empty arm	2x14 kg =28 kg
Rear extension arm required	1x 1600 mm	Max. lift capacity (Working load) (2 pers.+accessories)	250 kg
Total lift range	5643 mm	Counterweight required vor max. load	32x14 kg 1x8 kg =456 kg
Maximum height	4830 mm		
Arm reach (pivot to camera head mount)	4009 mm	Dolly weight	112 kg
Length of rear end (pivot to outside of weight bucket)	2530 mm	Crane weight (excluding dolly and weights)	203kg
Pivot height	1840 mm	Transport weight excluding counterweight	315 kg



Grip Factory
Munich

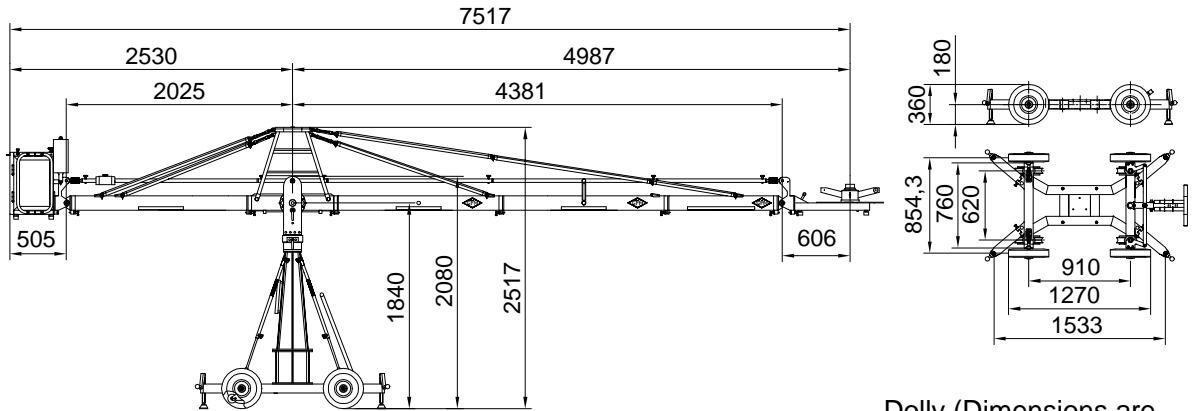
GF 8-Specifications

Version Xten 1

Datenblatt- Nr.:

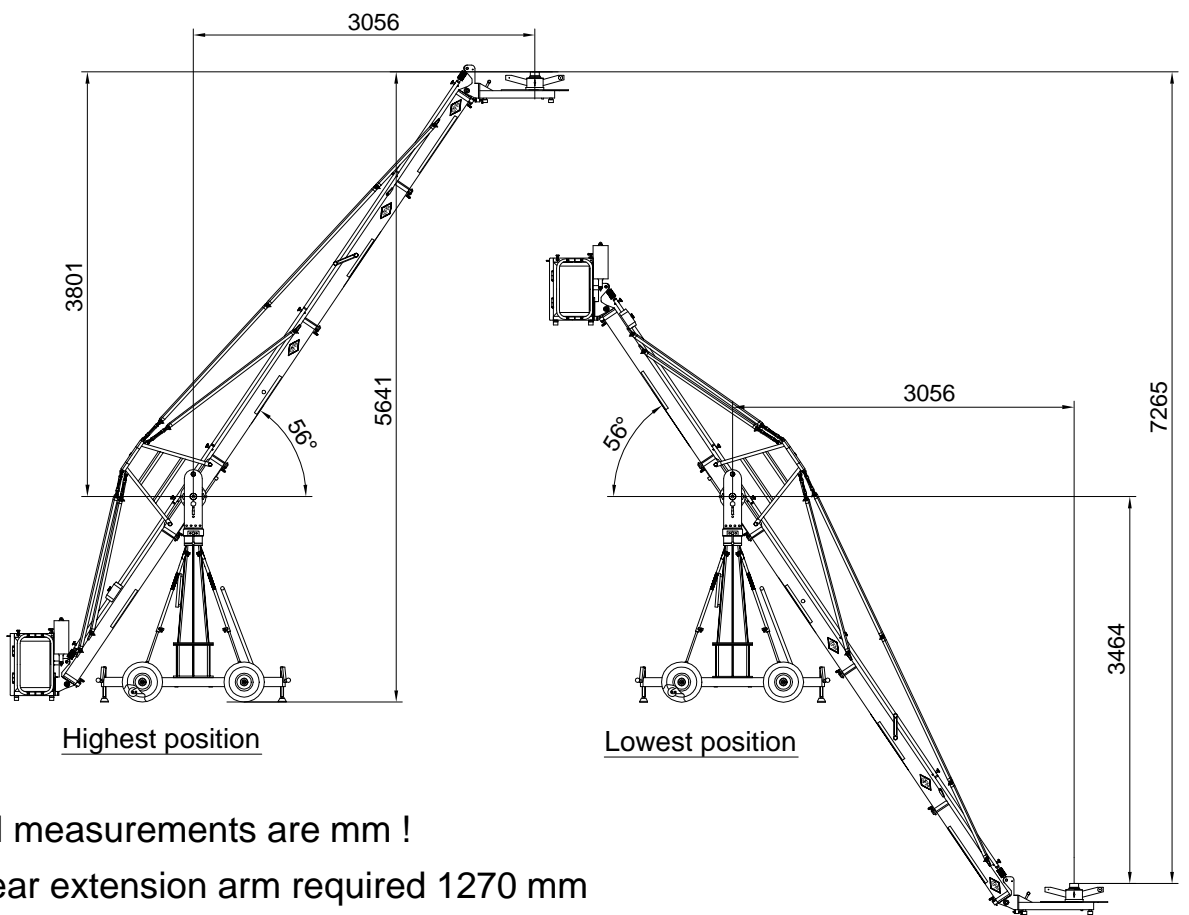
D140-XV1a

Name	Datum	Index	Datum	Name	Zugehörige Zeichnungs-Nr.:
Erstellt	Trautwig	10.05.06	a	16.08.06	Trautwig
Geprüft					



Horizontal position

Dolly (Dimensions are the same in all versions)



Highest position

Lowest position

All measurements are mm !

Rear extension arm required 1270 mm

Given heights are with 300 mm Mounting Column Extension

Front extension arms required	2x1500 mm	Transport height of middle section, assembled	2080 mm
	1x1000 mm	Transport height of rigging harness assembled	2517 mm
	--	Counterweight required to balance empty arm	4x14 kg 1x8kg=64 kg
Rear extension arm required	1x 1600 mm	Max. lift capacity (Working load) (2 pers.+accessories)	240 kg
Total lift range	7265 mm	Counterweight required vor max. load	41x14 kg+ 1x8 kg+ 1x4kg=586kg
Maximum height	5641 mm		
Arm reach (pivot to camera head mount)	4987 mm	Dolly weight	112 kg
Length of rear end (pivot to outside of weight bucket)	2530 mm	Crane weight (excluding dolly and weights)	220 kg
Pivot height	1840 mm	Transport weight excluding counterweight	332 kg



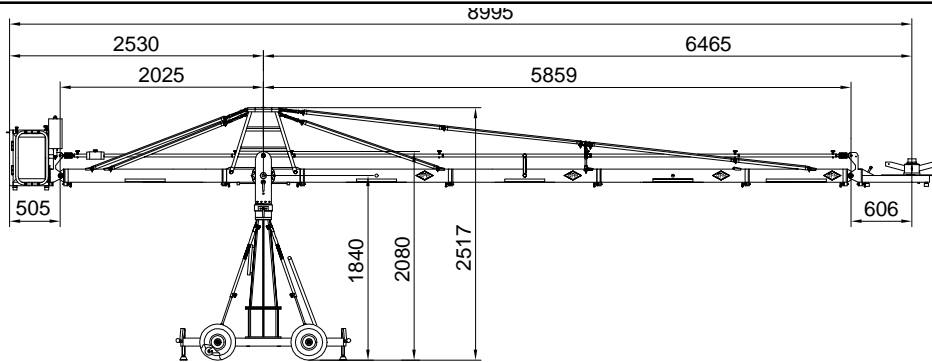
GF 8-Specifications

Version Xten 2

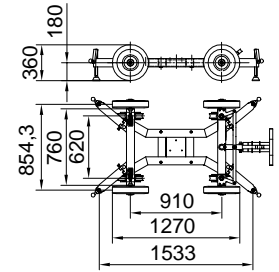
Datenblatt- Nr.:

D140-VXT2a

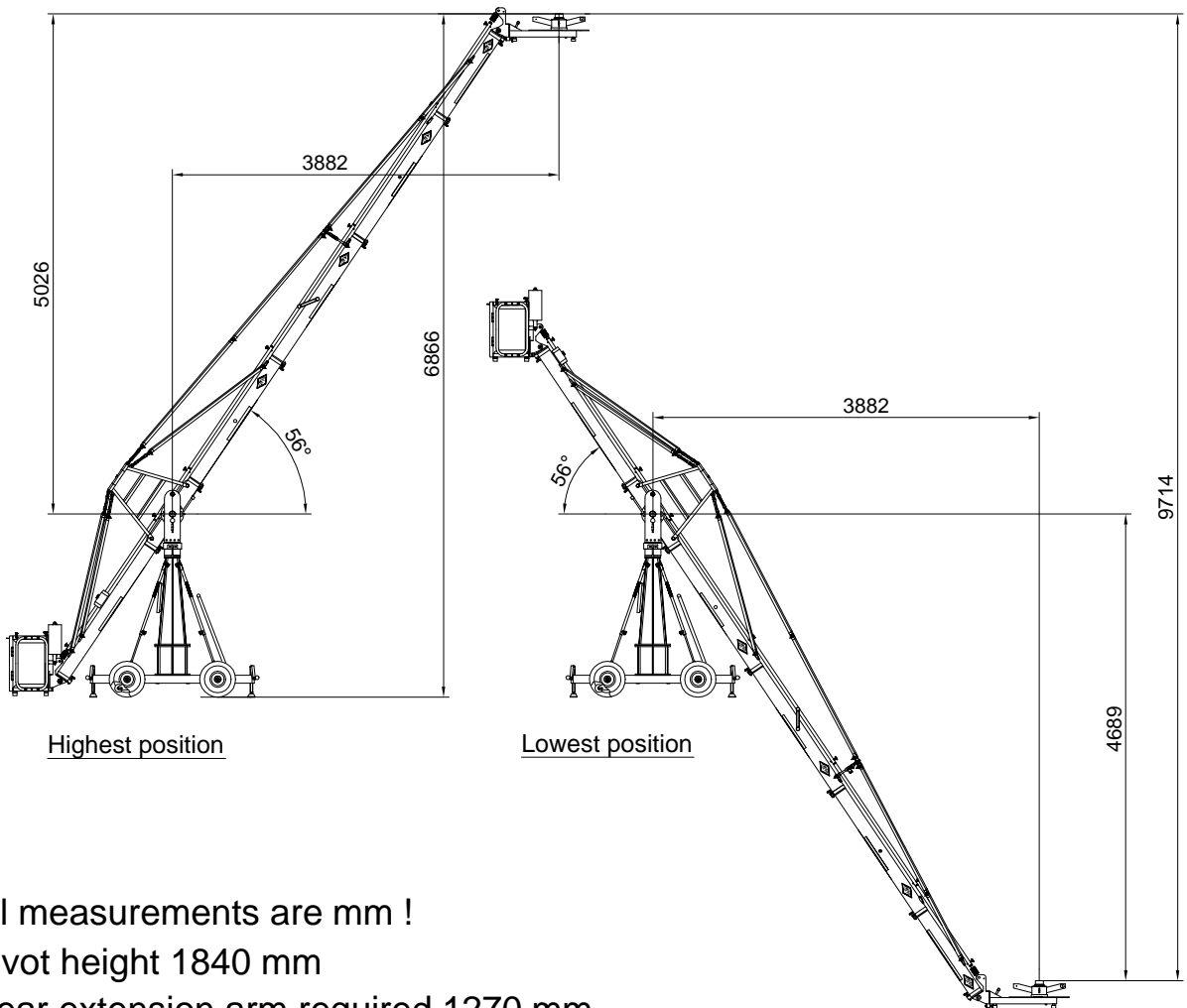
		Name	Datum	Index	Datum	Name	Zugehörige Zeichnungs-Nr.:
Erstellt		Trautwig	10.05.06	a	16.08.06	Trautwig	--
Geprüft							



Horizontal position



Dolly (Dimensions are the same in all versions)



Highest position

Lowest position

All measurements are mm !
 Pivot height 1840 mm
 Rear extension arm required 1270 mm

Front extension arms required	3x1500 mm	Transport height of middle section, assembled	2080 mm
	1x1000 mm	Transport height of rigging harness assembled	2517 mm
	--	Counterweight required to balance empty arm	9x14 kg+ 1x4kg=130 kg
Rear extension arm required	1x 1600 mm	Max. lift capacity (Working load) (1 pers.+accessories)	170 kg
Total lift range	9714 mm	Counterweight required vor max. load	42x14 kg+ 1x8 kg+ 1x4 kg=600 kg
Maximum height	6866 mm		
Arm reach (pivot to camera head mount)	6465 mm	Dolly weight	112 kg
Length of rear end (pivot to outside of weight bucket)	2530 mm	Crane weight (excluding dolly and weights)	238 kg
Pivot height	1840 mm	Transport weight excluding counterweight	350 kg



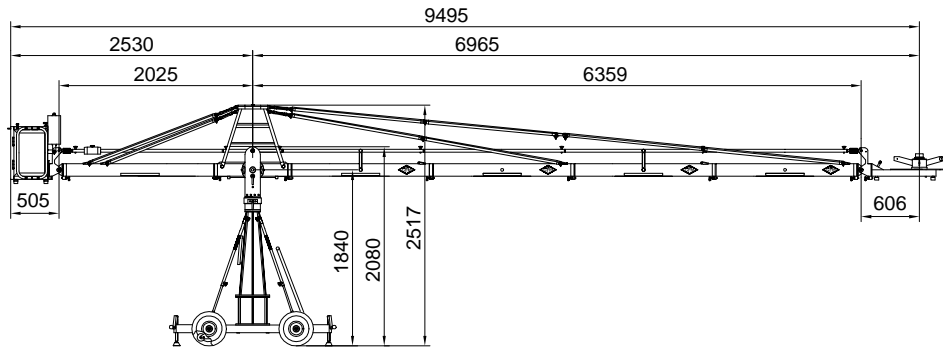
GF 8-Specifications

Version Xten 3

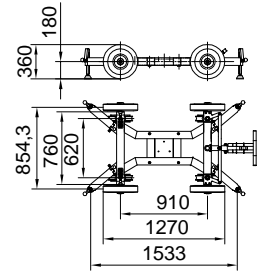
Datenblatt- Nr.:

D140-VXT3a

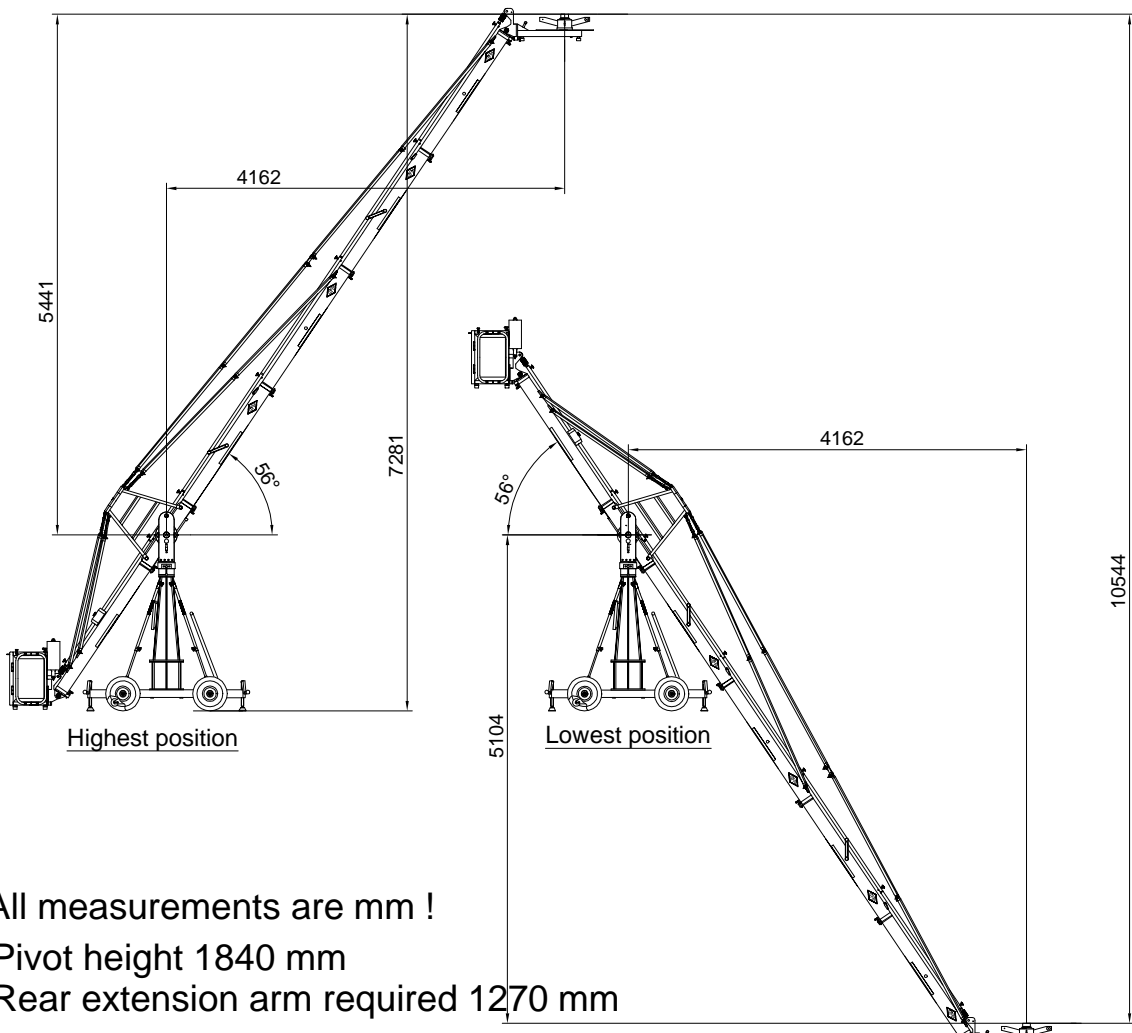
	Name	Datum	Index	Datum	Name	Zugehörige Zeichnungs-Nr.:
Erstellt	Trautwig	10.05.06	a	16.08.06	Trautwig	
Geprüft						



Horizontal position



Dolly (Dimensions are the same in all versions)



Highest position

Lowest position

All measurements are mm !
 Pivot height 1840 mm
 Rear extension arm required 1270 mm

Front extension arms required	4x1500 mm	Transport height of middle section, assembled	2080 mm
	--	Transport height of rigging harness assembled	2517 mm
	--	Counterweight required to balance empty arm	11x14 kg =154 kg
Rear extension arm required	1x 1600 mm	Max. lift capacity (Working load) (1 pers.+accessories)	140 kg
Total lift range	10544 mm	Counterweight required vor max. load	42x14 kg+ 1x8 kg+ 1x4 kg=600 kg
Maximum height	7281 mm		
Arm reach (pivot to camera head mount)	6965 mm	Dolly weight	112 kg
Length of rear end (pivot to outside of weight bucket)	2530mm	Crane weight (excluding dolly and weights)	246 kg
Pivot height	1840 mm	Transport weight excluding counterweight	358 kg



GF 8-Specifications

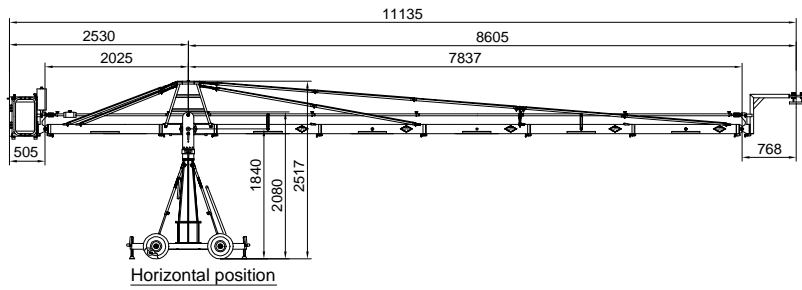
Version Xten 4

Datenblatt- Nr.:

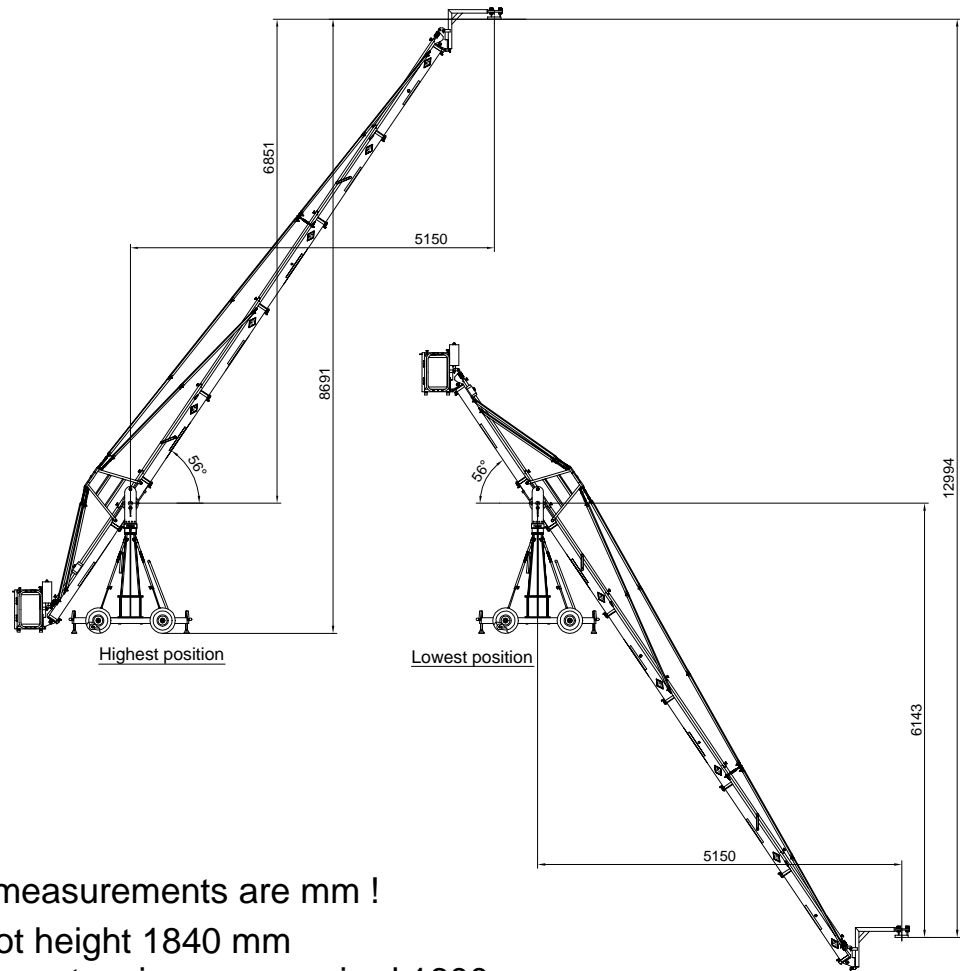
D140-VXT4a

	Name	Datum	Index	Datum	Name
Erstellt	Trautwig	10.05.06	a	16.08.06	Trautwig
Geprüft					

Zugehörige Zeichnungs-Nr.:



Dolly (Dimensions are the same in all versions)



All measurements are mm !
 Pivot height 1840 mm
 Rear extension arm required 1600 mm

Front extension arms required	5x1500 mm	Transport height of middle section, assembled	2080 mm
	--	Transport height of rigging harness assembled	2517 mm
	--	Counterweight required to balance empty arm	15x14kg+ 1x4kg=214 kg
Rear extension arm required	1x 1600 mm	Max. lift capacity (Working load)	80 kg
Total lift range	12994 mm	Counterweight required vor max. load	37x14 kg+ 1x8 kg= 526 kg
Maximum height	8691 mm		
Arm reach (pivot to camera head mount)	8605 mm	Dolly weight	112 kg
Length of rear end (pivot to outside of weight bucket)	2530 mm	Crane weight (excluding dolly and weights)	255 kg
Pivot height	1840 mm	Transport weight excluding counterweight	367 kg



GF 8-Specifications

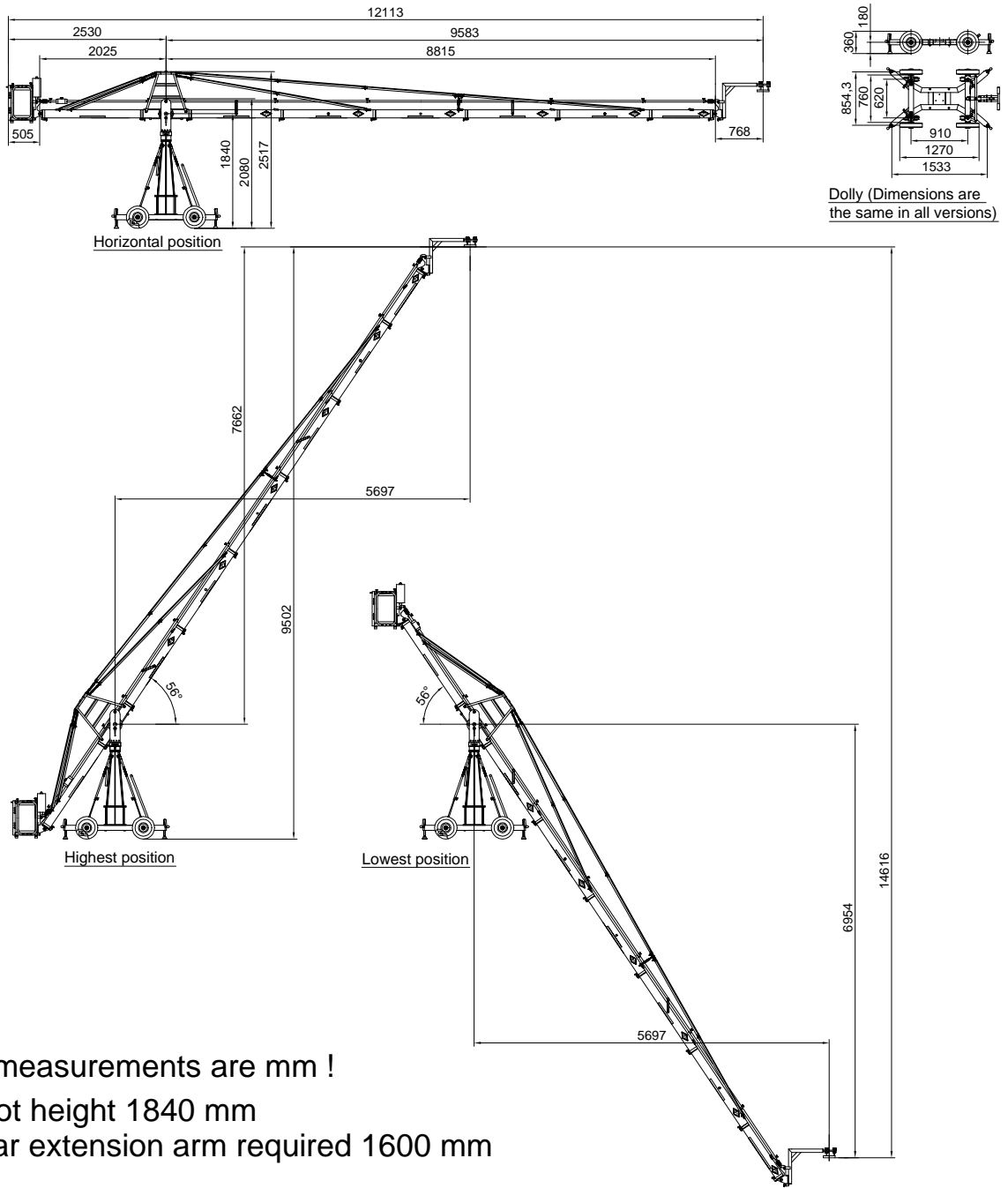
Version Xten 5

Datenblatt- Nr.:

D140-VXT5a

Name	Datum	Index	Datum	Name
Erstellt	Trautwig	10.05.06	a	16.08.06/Trautwig
Geprüft				

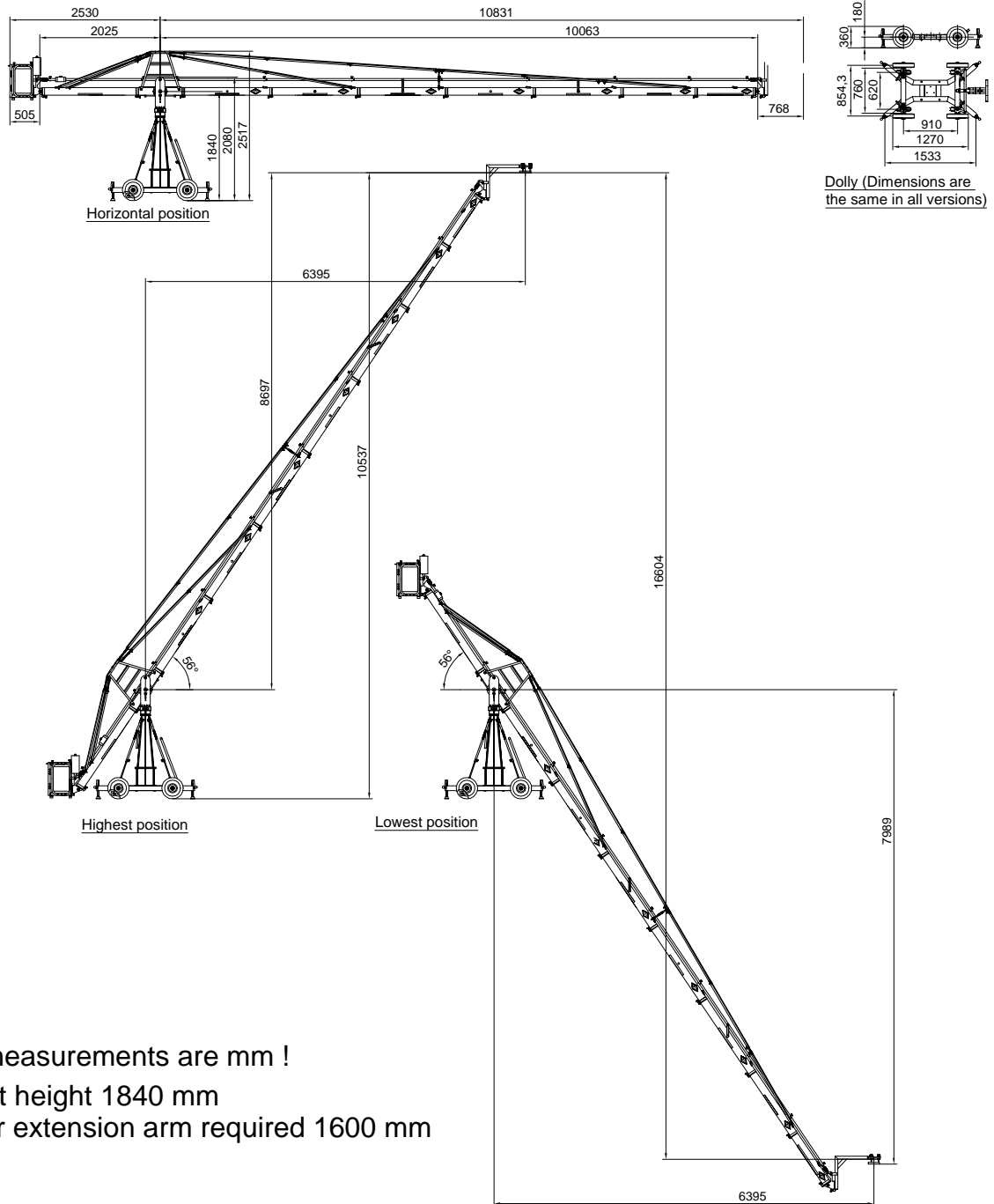
Zugehörige Zeichnungs-Nr.:



All measurements are mm !
 Pivot height 1840 mm
 Rear extension arm required 1600 mm

Front extension arms required	5x1500 mm	Transport height of middle section, assembled	2080 mm
	1x1000 mm	Transport height of rigging harness assembled	2517 mm
	--	Counterweight required to balance empty arm	19x14 kg =266 kg
Rear extension arm required	1x 1600 mm	Max. lift capacity (Working load)	70 kg
Total lift range	14616 mm	Counterweight required vor max. load	42x14 kg 588 kg
Maximum height	9502 mm		.
Arm reach (pivot to camera head mount)	9583 mm	Dolly weight	112 kg
Length of rear end (pivot to outside of weight bucket)	2530 mm	Crane weight (excluding dolly and weights)	266 kg
Pivot height	1840 mm	Transport weight excluding counterweight	378 kg

	<h2 style="text-align: center;">GF 8-Specifications</h2>	Version Xten 6			Datenblatt- Nr.: D140-VXT6a		
		Name	Datum	Index	Datum	Name	Zugehörige Zeichnungs-Nr.:
		Erstellt	Trautwig	10.05.06	a	16.08.06	Trautwig
	Geprüft						



All measurements are mm !
 Pivot height 1840 mm
 Rear extension arm required 1600 mm

Front extension arms required	5x1500 mm	Transport height of middle section, assembled	2080 mm
	1x1270 mm	Transport height of rigging harness assembled	2517 mm
	1x1000 mm	Counterweight required to balance empty arm	25x14 kg= 350 kg
Rear extension arm required	1x 1600 mm	Max. lift capacity (Working load)	50 kg
Total lift range	16604 mm	Counterweight required vor max. load	43x14 kg= 602 kg
Maximum height	10537 mm		
Arm reach (pivot to camera head mount)	10831 mm	Dolly weight	112 kg
Length of rear end (pivot to outside of weight bucket)	2530 mm	Crane weight (excluding dolly and weights)	282 kg
Pivot height	1840 mm	Transport weight excluding counterweight	394 kg



GF 8-Specifications

Version Xten 8

Datenblatt- Nr.:

D140-VXT8a

Name	Datum	Index	Datum	Name
Erstellt	Trautwig	10.05.06	a	16.08.06/Trautwig
Geprüft				

Zugehörige Zeichnungs-Nr.: